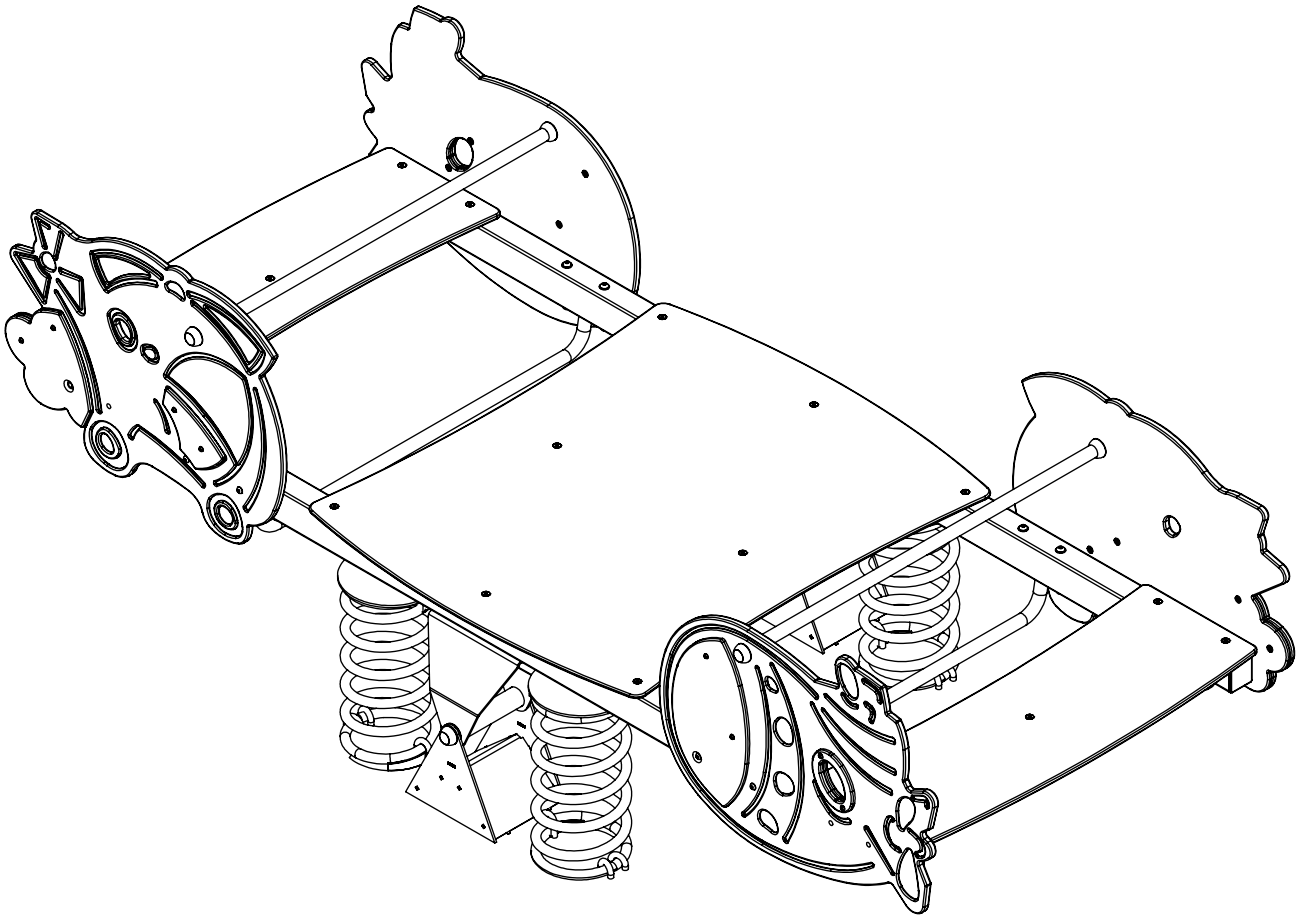


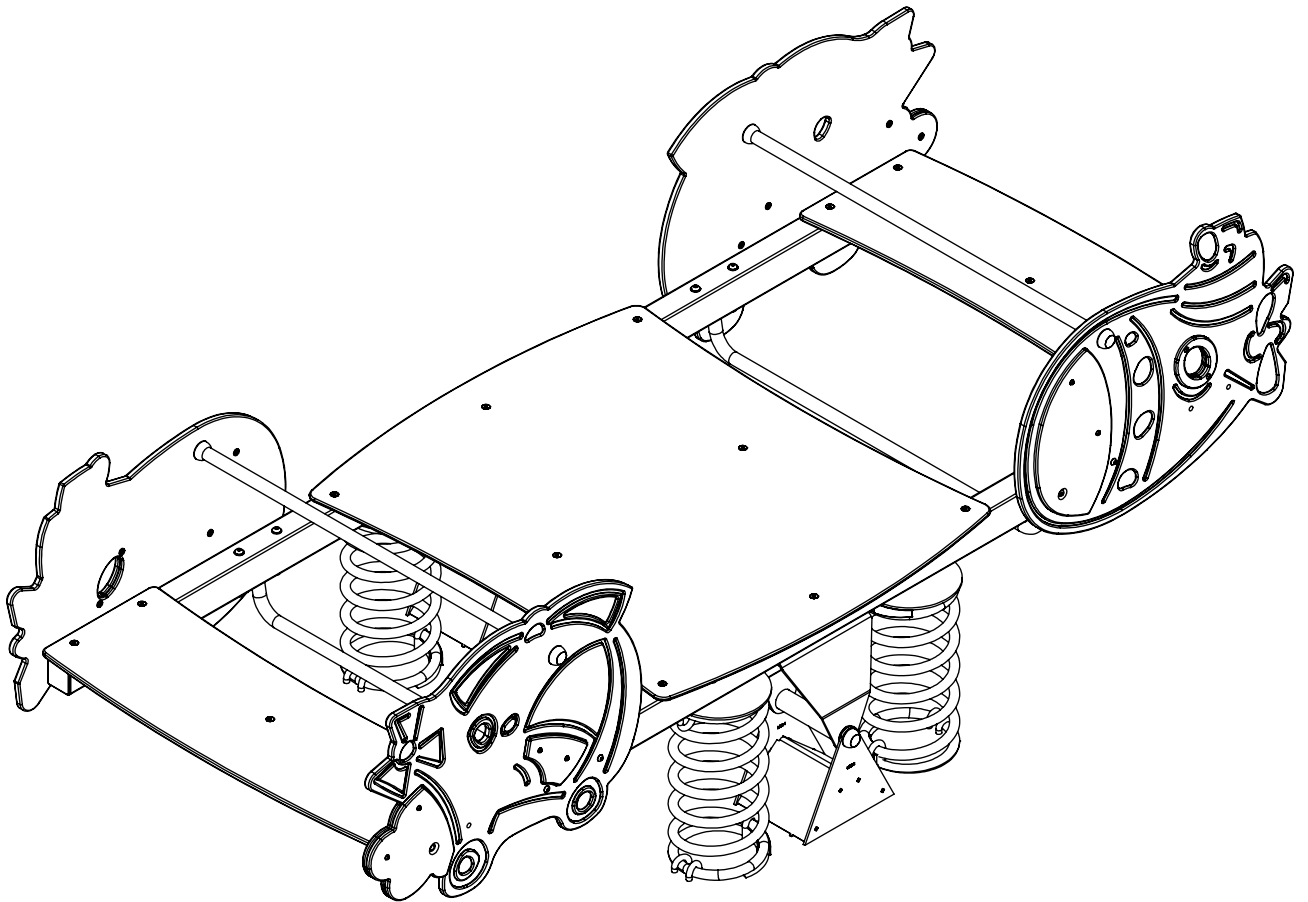
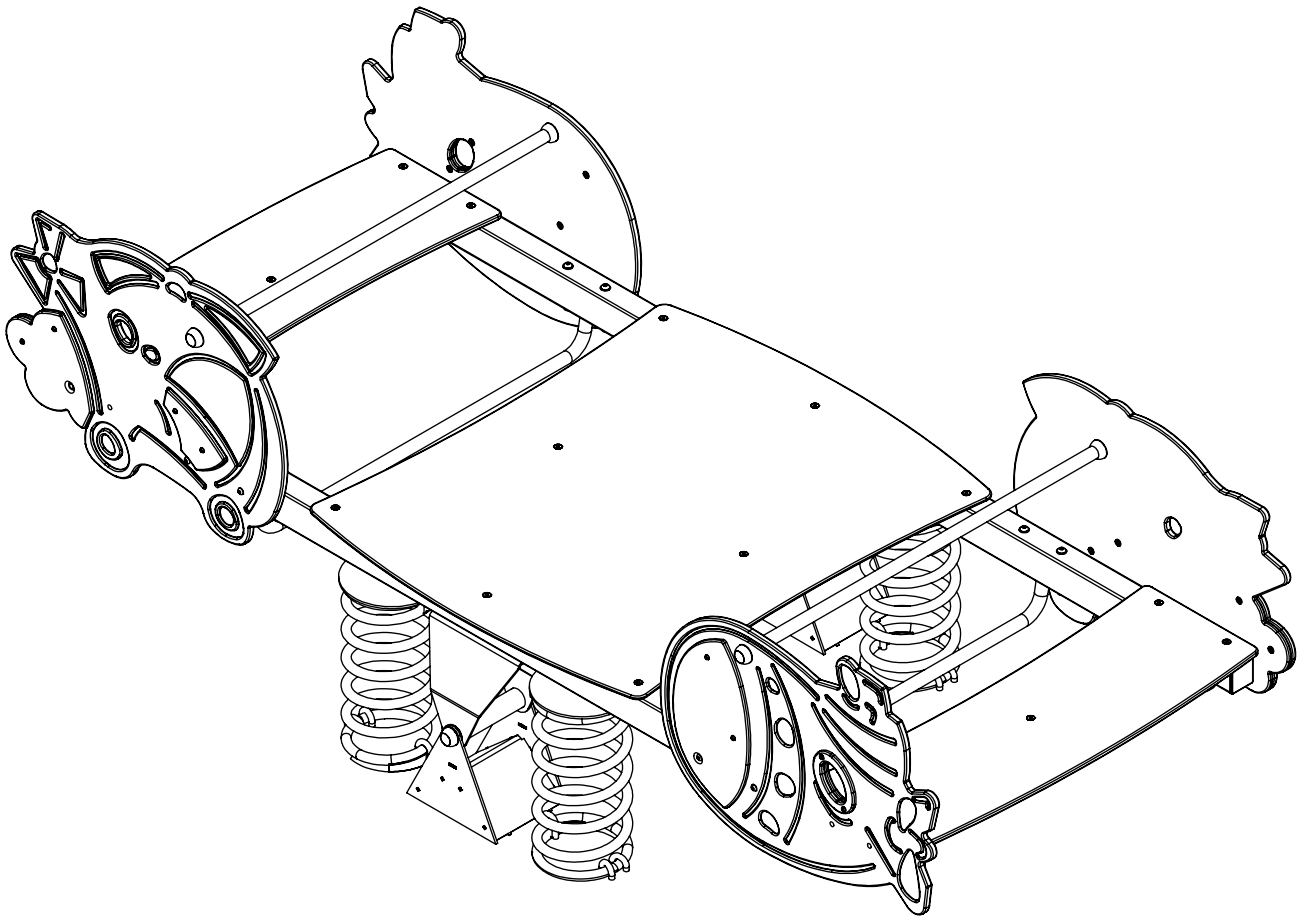
# 0671



4h			K17 x1 >0.35m <sup>3</sup>	48h 	K3 x1 >0.21m <sup>3</sup>	<60 HIC
13		17 	19 	5 		

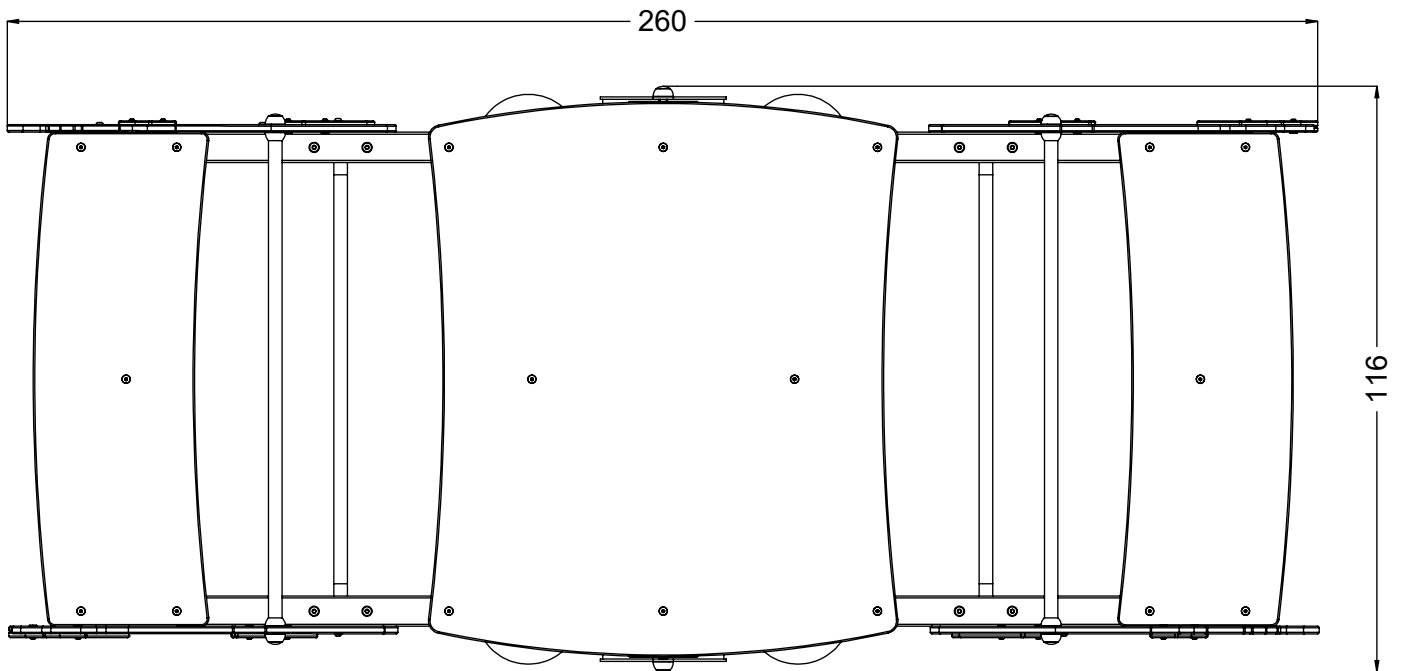
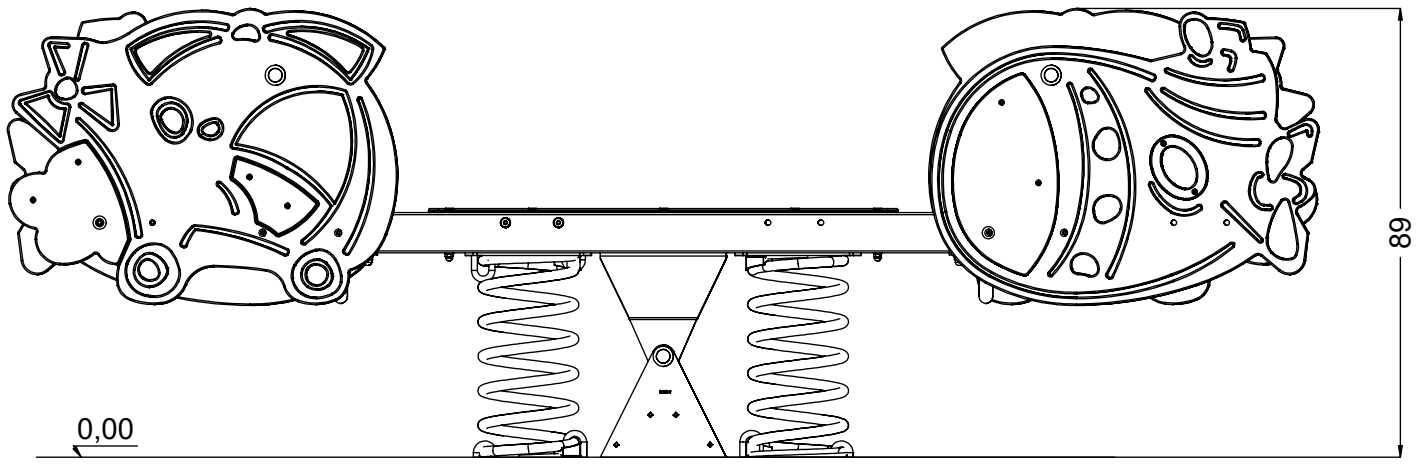
v013  
19.07.2022  
W.G.  
[cm]

vinci  
play



[cm]

vinci  
play



416

R100

R100

R150

R150

260

R150

R150

116

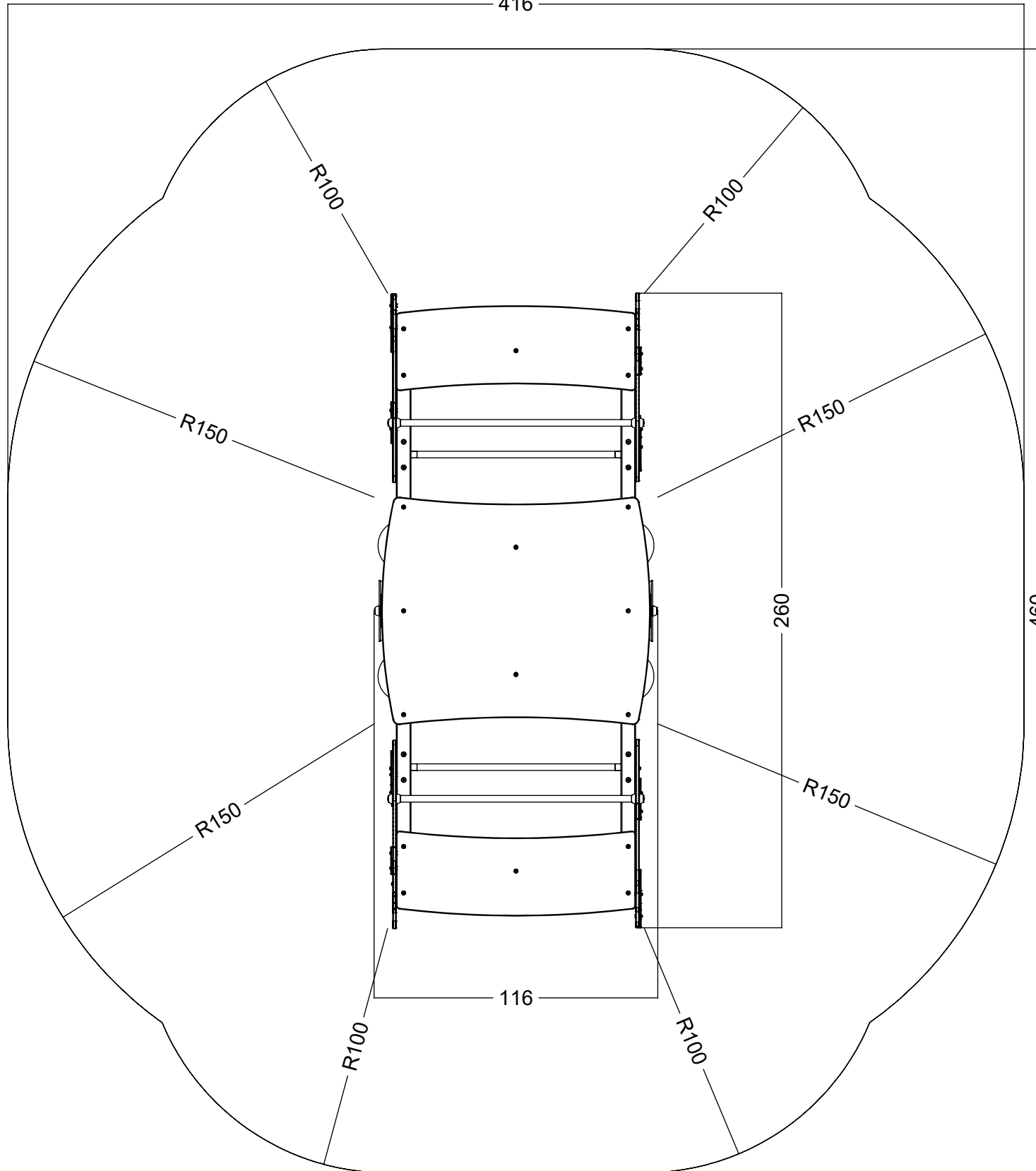
R100

R100

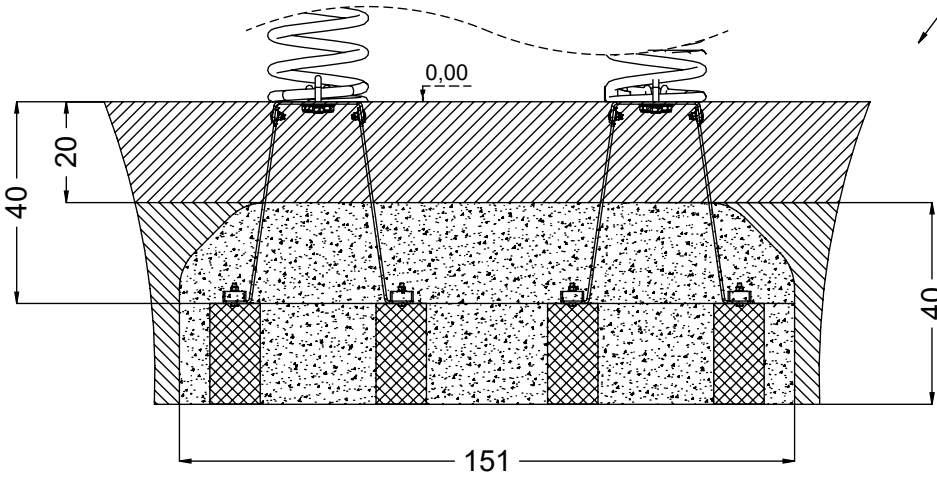
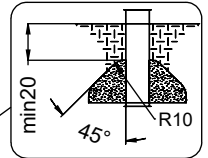
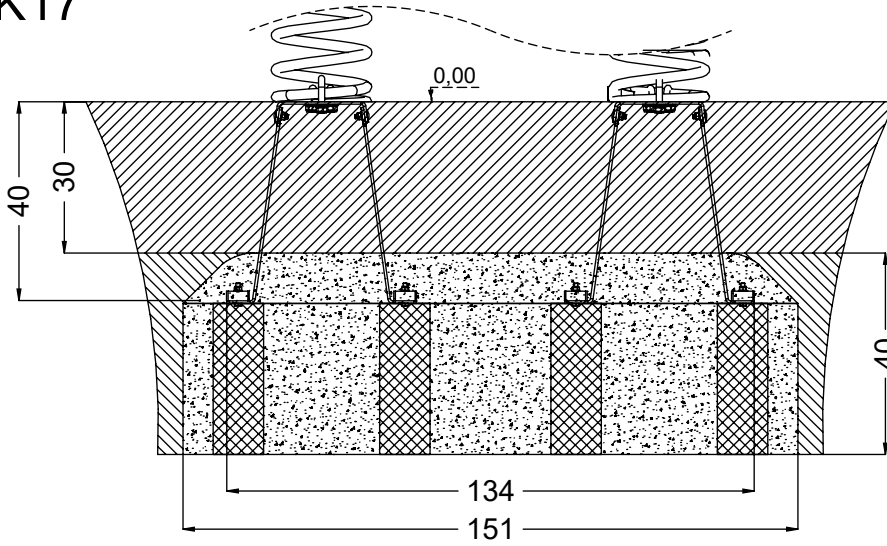
460

[cm]


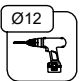

vinci  
play

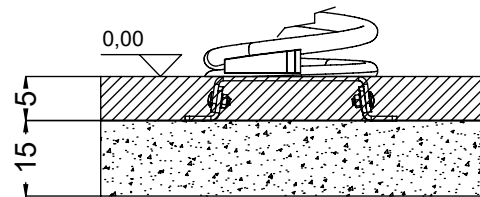
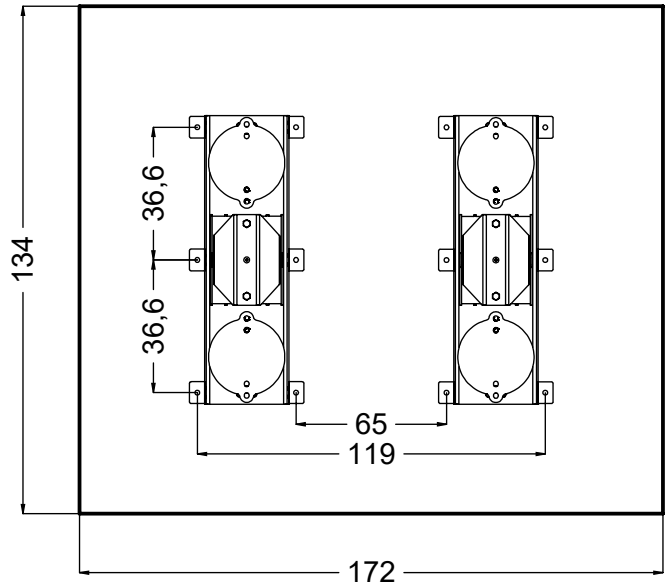
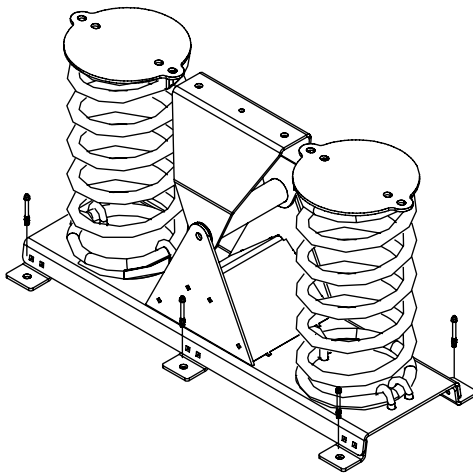


# K17



# K3

	<b>K3</b>
M12x110 x12	
<b>NOT INCLUDED</b>	



[cm]



1,5h



>0.35m³



>0.2 l/m²

vinci play



061244  
x2



061115  
x2



061247  
x2



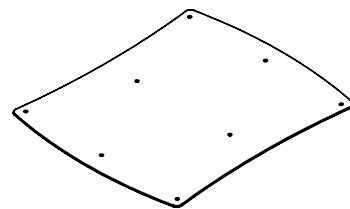
061248  
x2



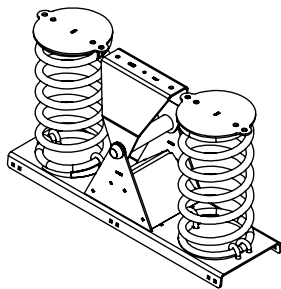
061245  
x2



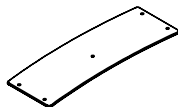
061249  
x2



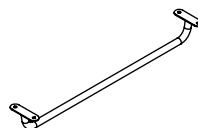
061250  
x1



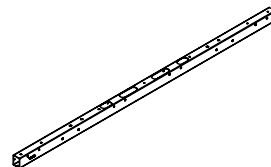
064127  
x2



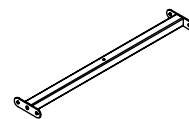
061251  
x2



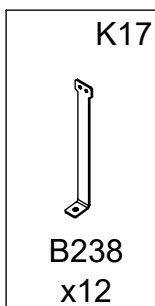
062113  
x2



063106  
x2

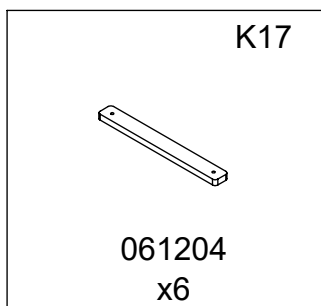


062121  
x4



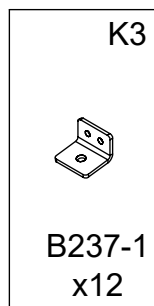
K17

B238  
x12



K17

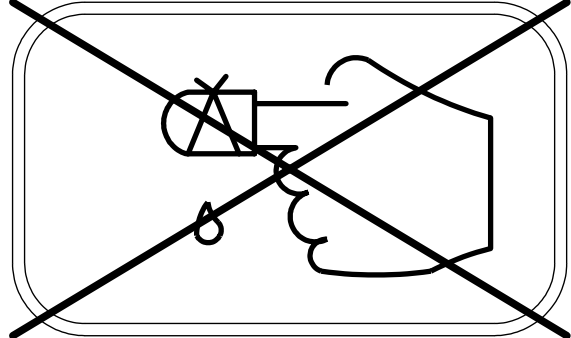
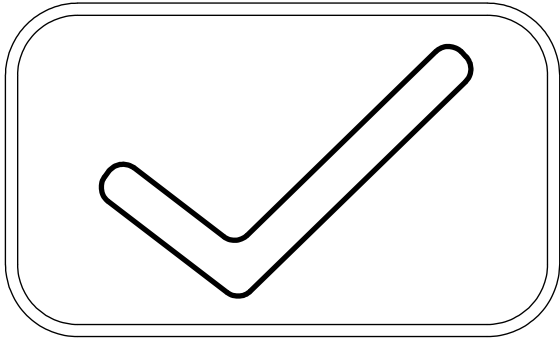
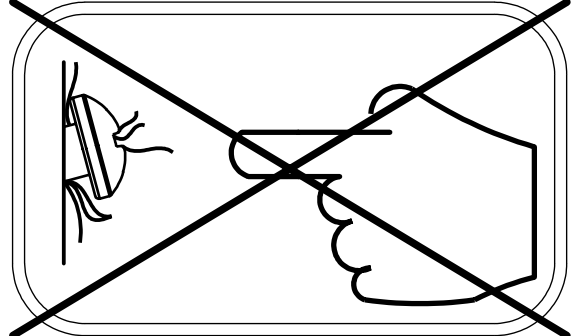
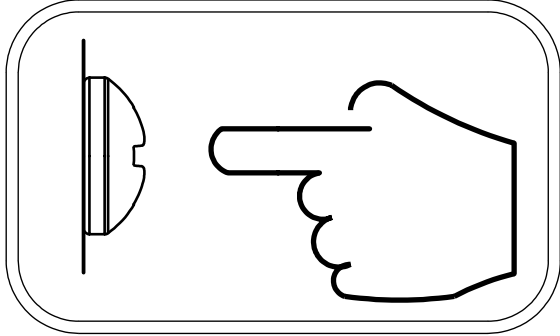
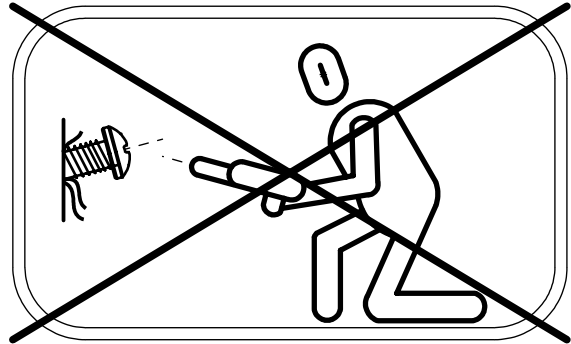
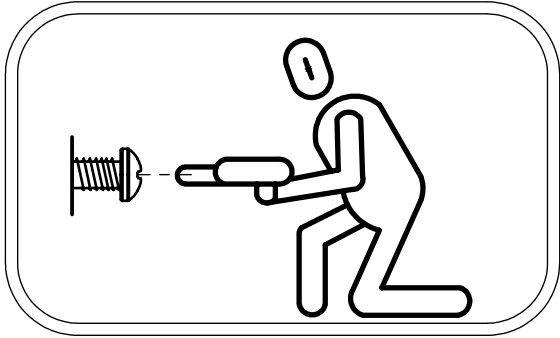
061204  
x6



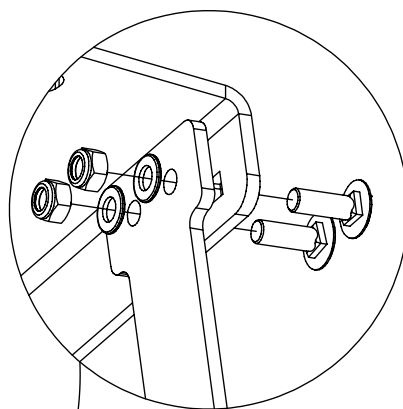
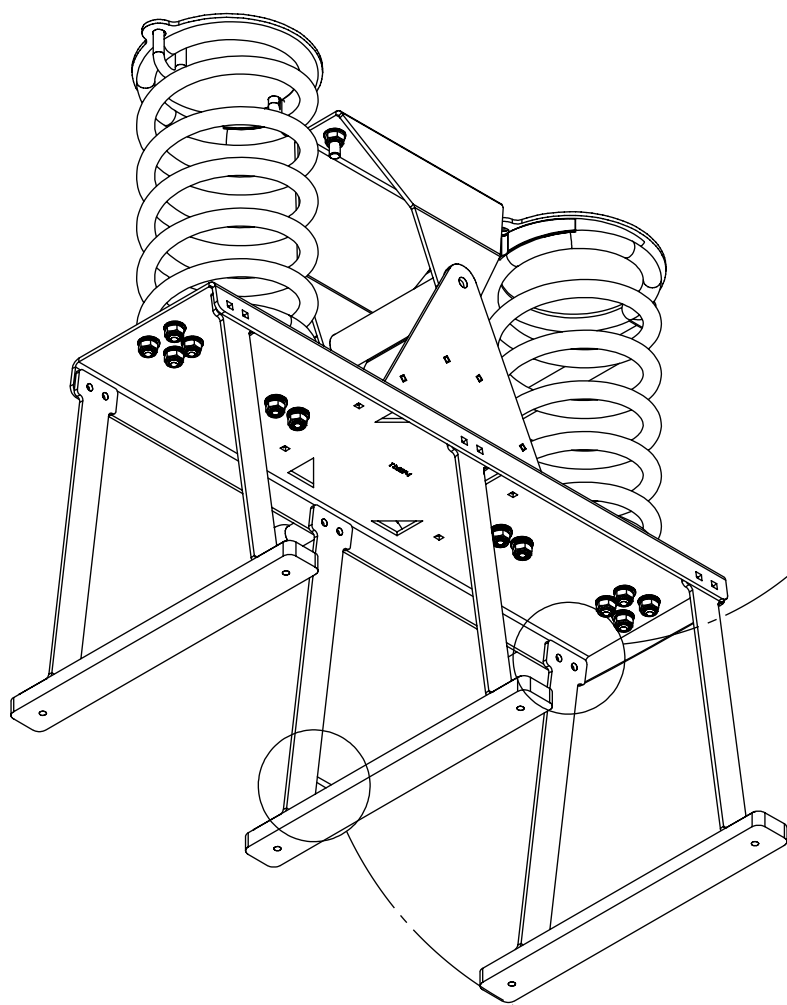
K3

B237-1  
x12

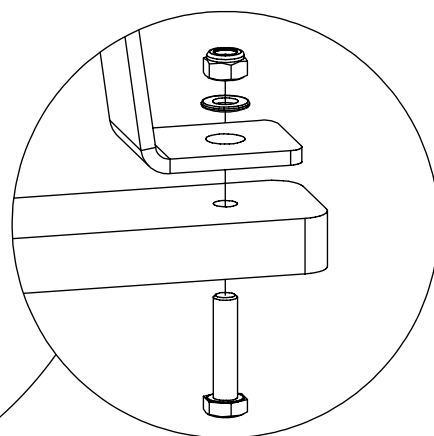
4x	SP2
4x	SP39
2x	SP40 (K17)
4x	SP51
8x	SP90
2x	SP78
1x	SP79
2x	SP80
2x	SP81
2x	SP82
1x	SP84
1x	SP27
1x	SP99
1x	V001



K17

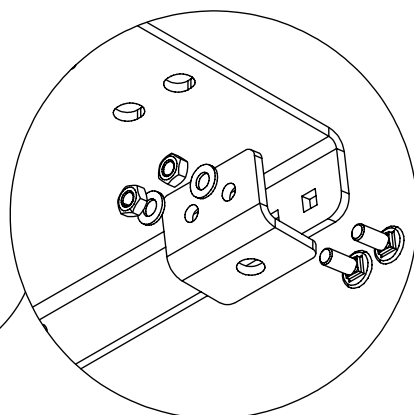
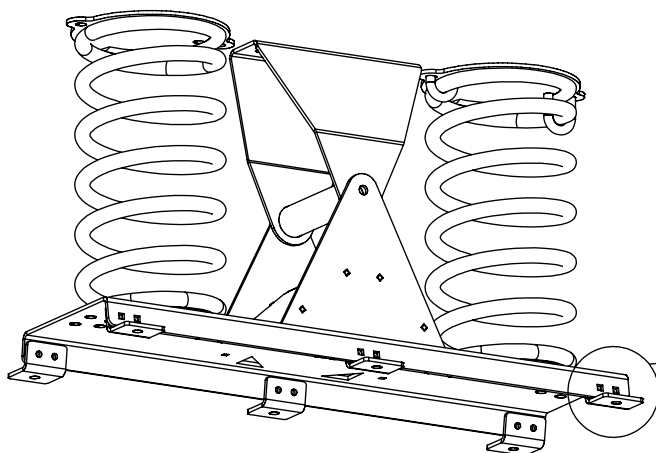


SP39 x4



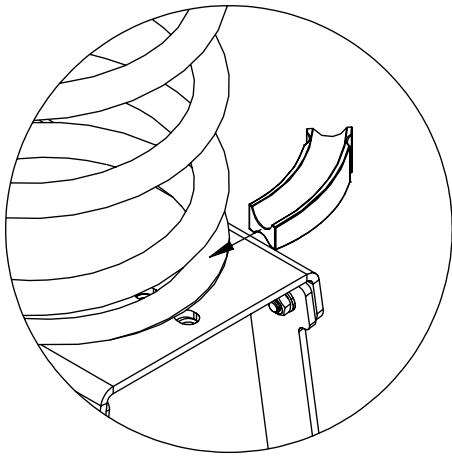
SP40 x2

K3

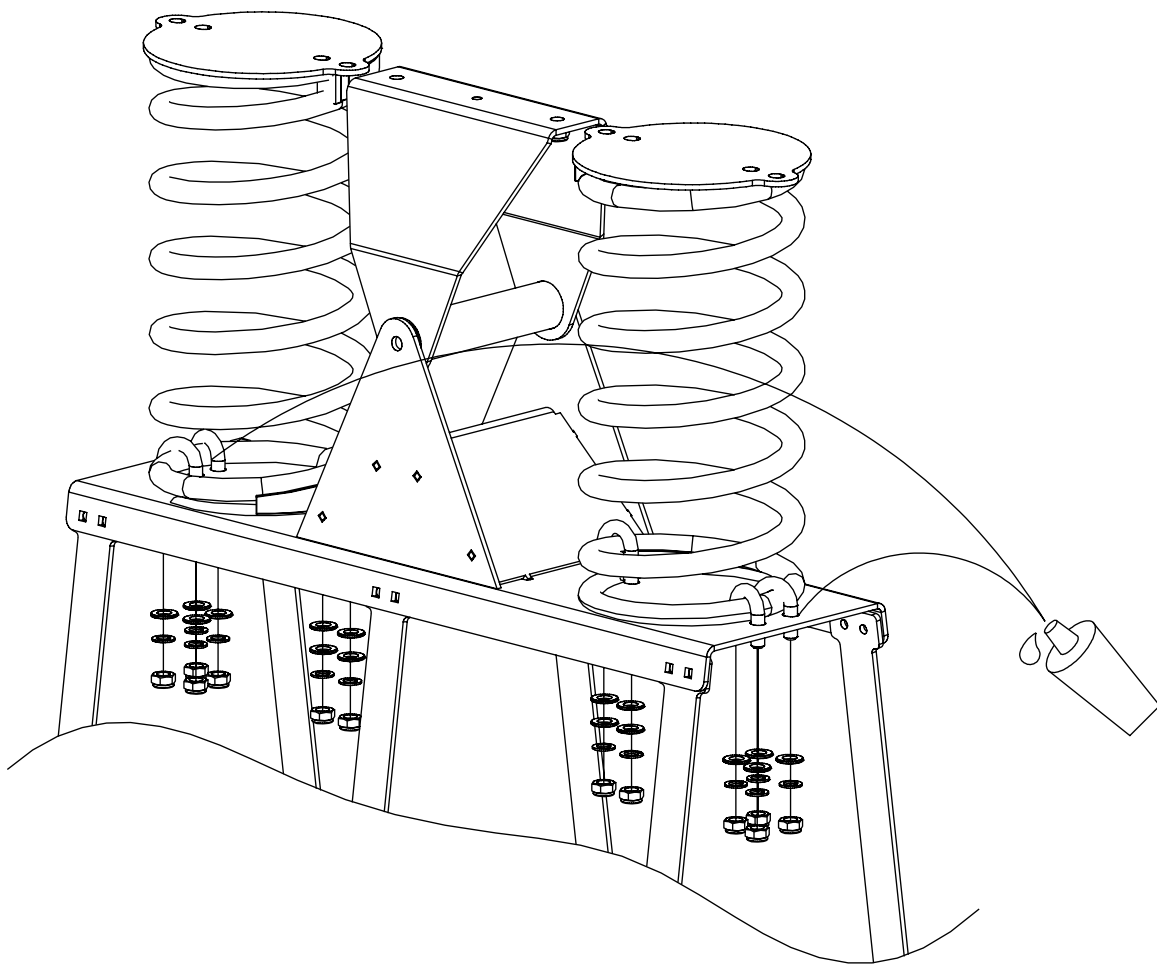
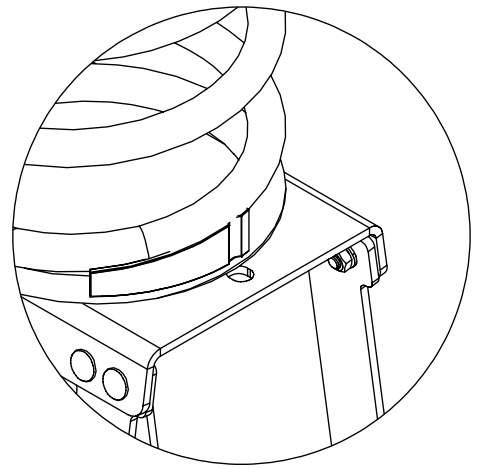


SP39 x4



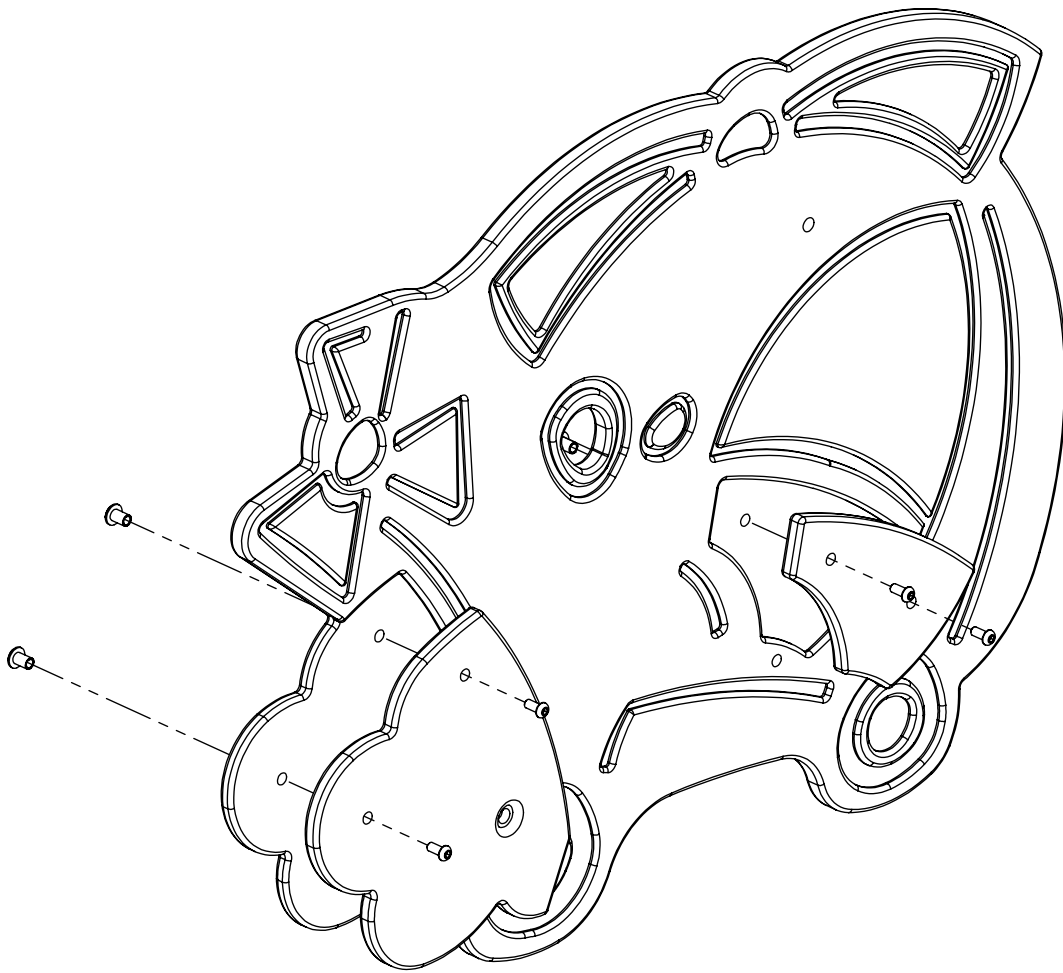


SP2 x4

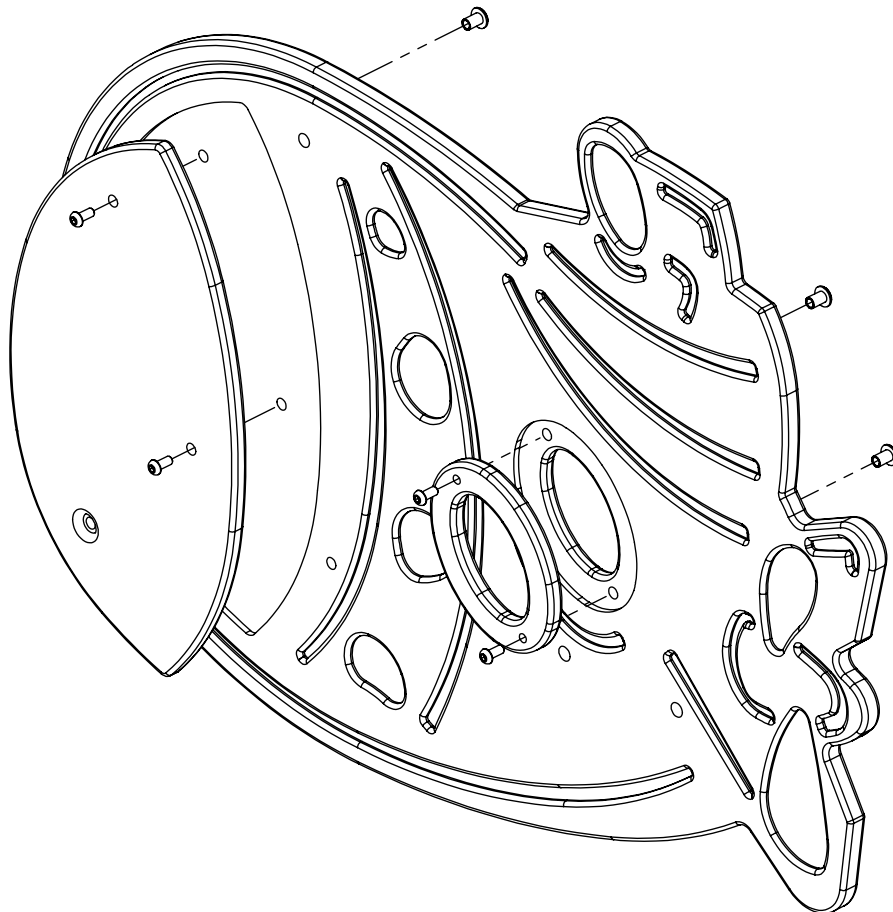


[cm]

vinci  
play

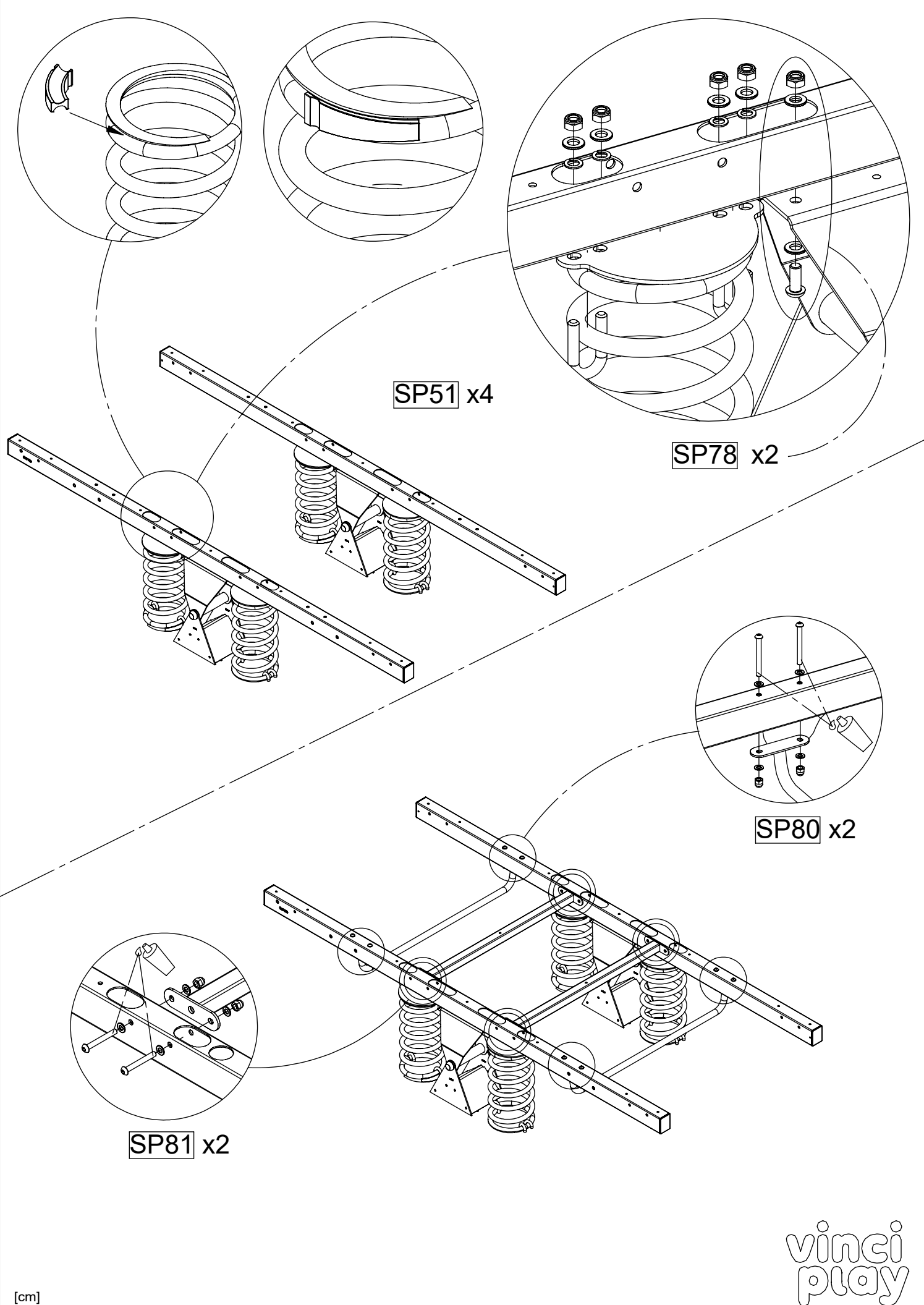


SP90 x8



[cm]

vinci  
play



SP51 x4

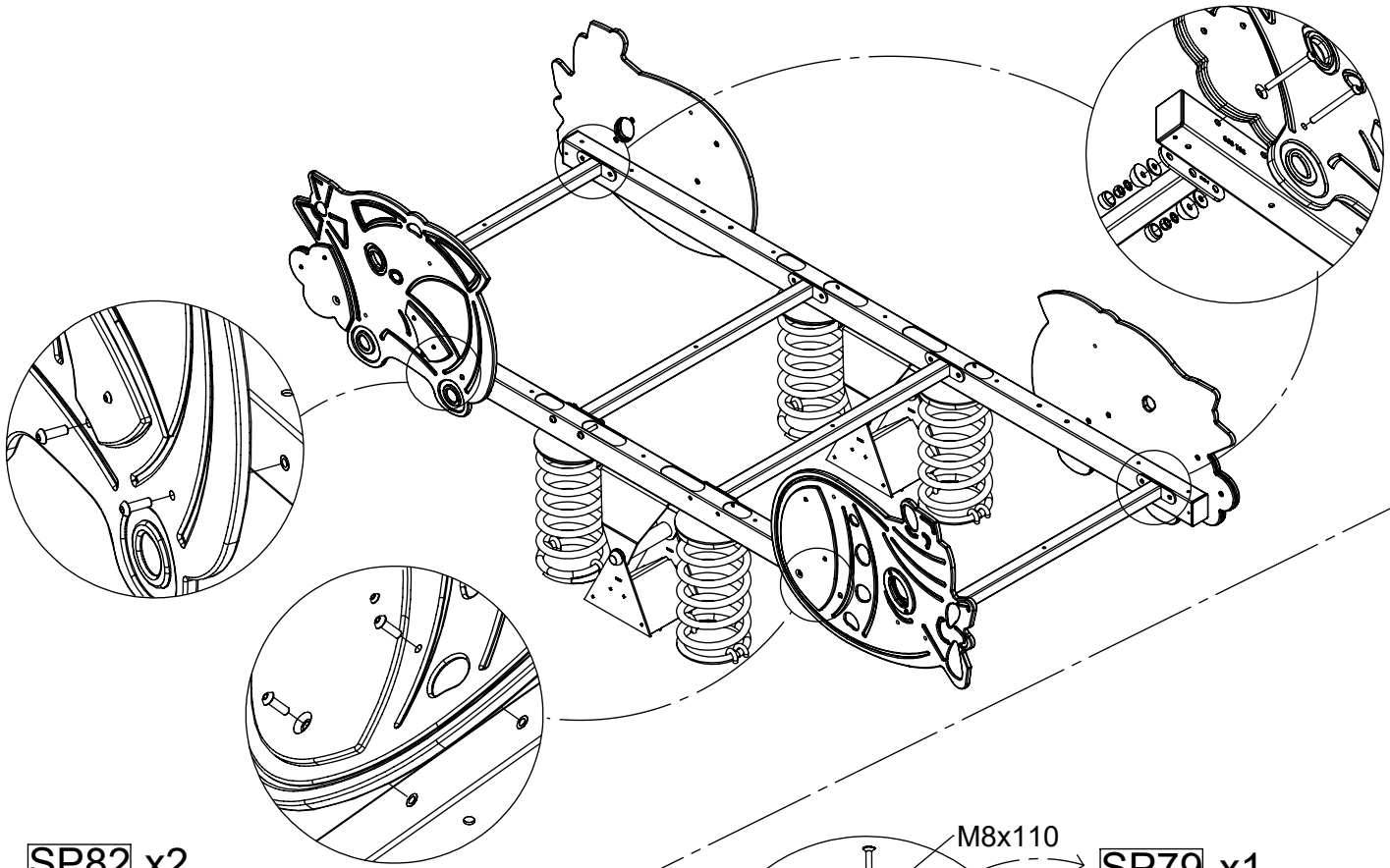
SP78 x2

SP80 x2

SP81 x2

[cm]

vinci  
play

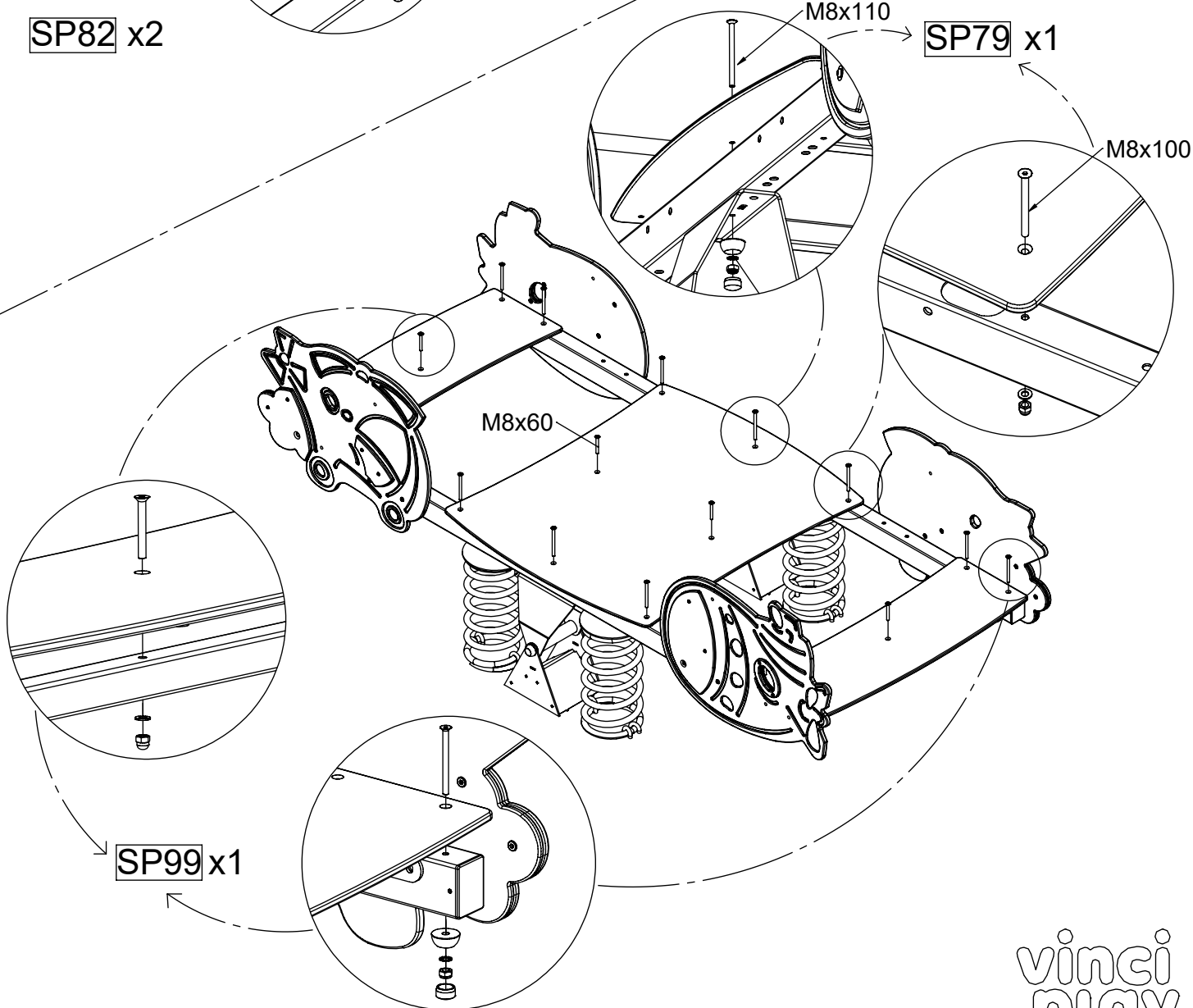


SP82 x2

M8x110

SP79 x1

M8x100



M8x60

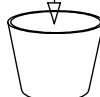
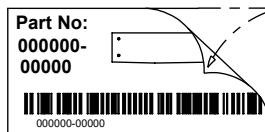
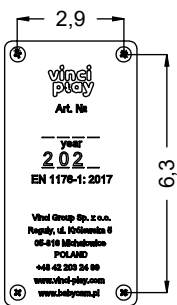
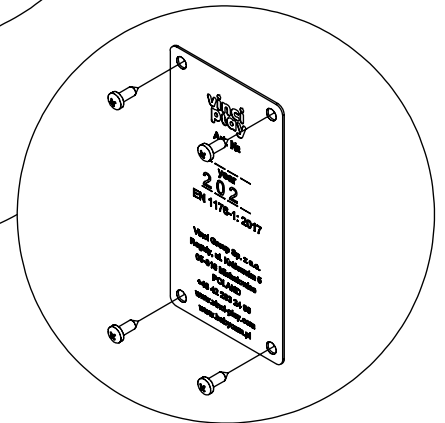
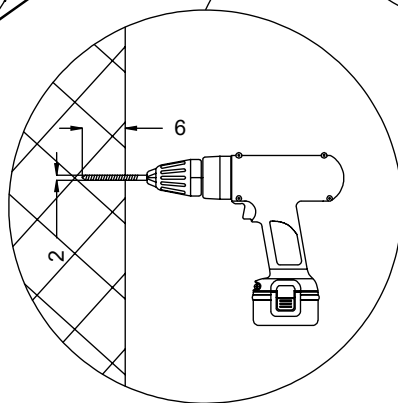
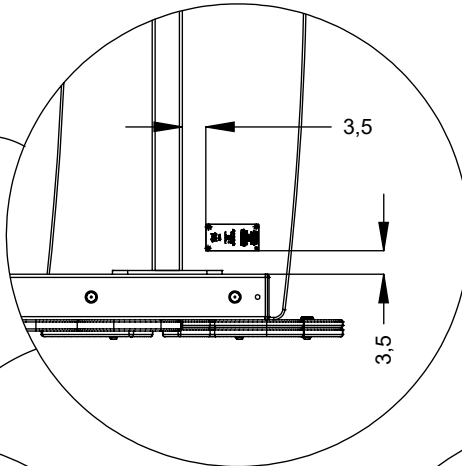
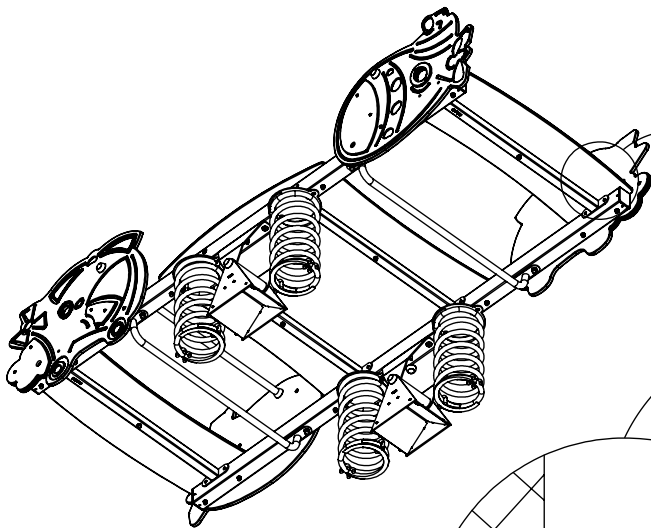
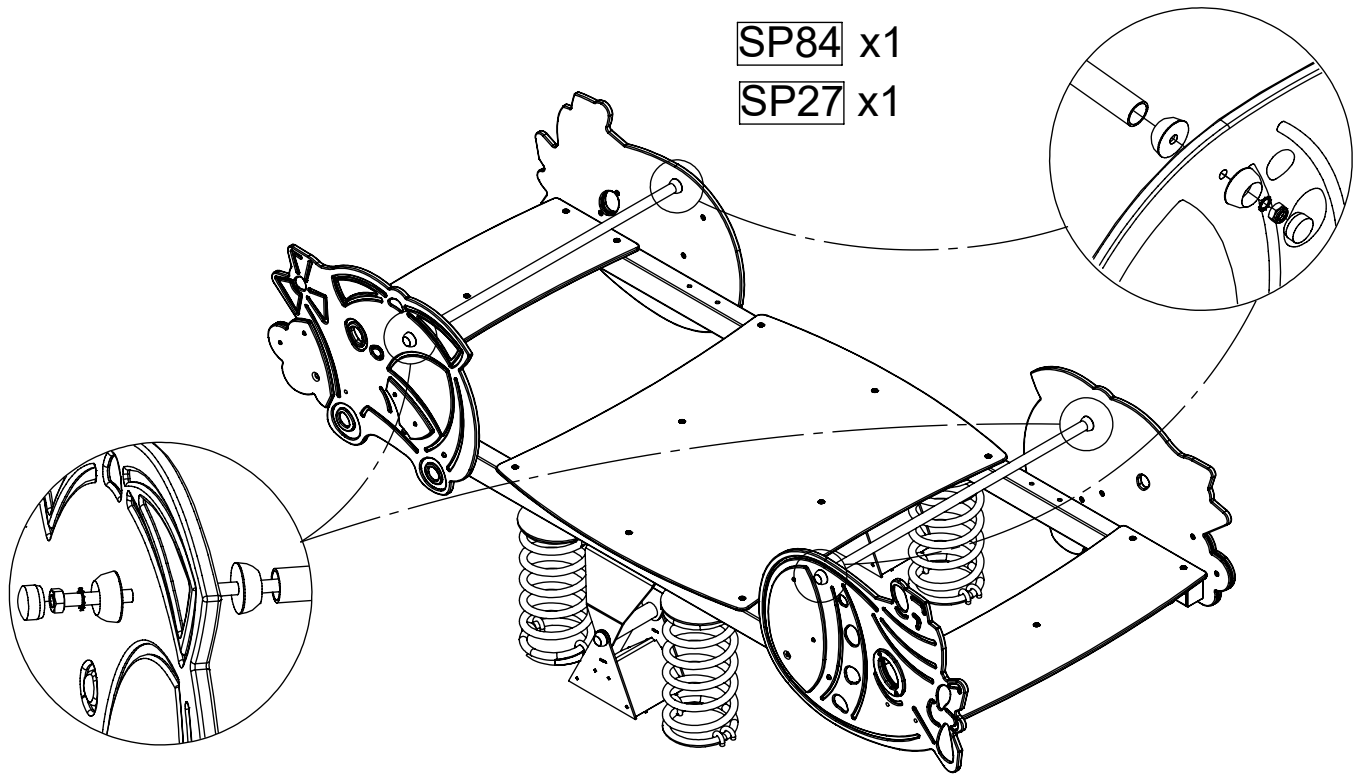
SP99 x1

[cm]

vinci  
play

SP84 x1

SP27 x1



[cm]

vinci  
play